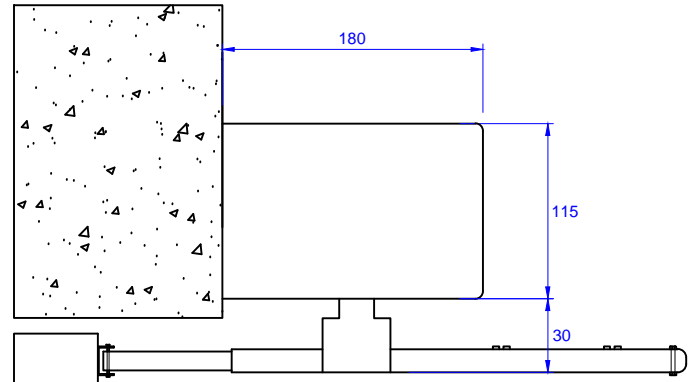
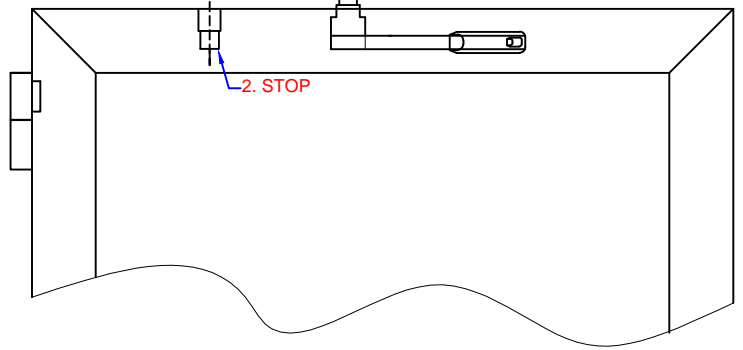


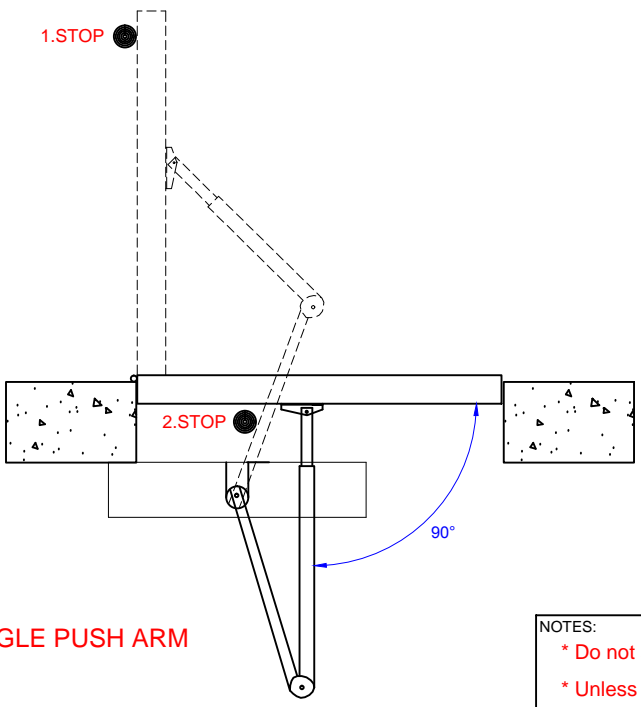
* Operator to be mounted on hinge line or up to 45mm past

* Stop Options

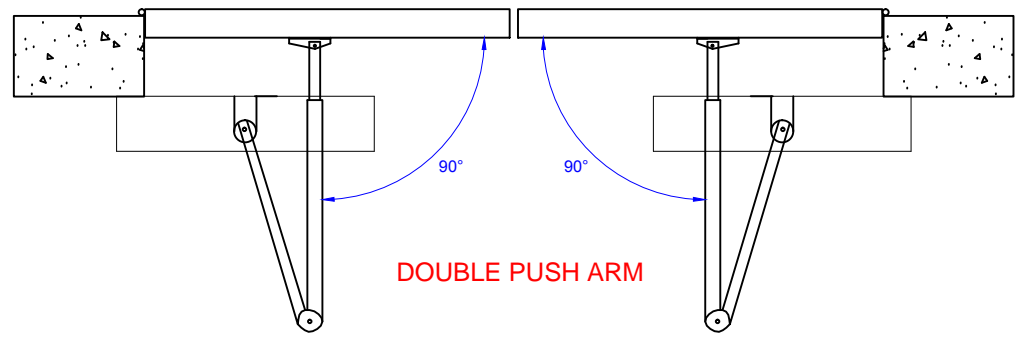
1. Floor
2. Head of frame



OPEN



SINGLE PUSH ARM



DOUBLE PUSH ARM

NOTES:

- * Do not scale
- * Unless otherwise stated all dimensions in millimeters
- * FFL - Finished Floor Level (including carpets etc.)

| | |
|--|------------------------------|
| <small>AUTOMATIC DOORS</small> <small>THINK OF US AUTOMATICALLY</small> | TITLE |
| | LSW-LP SERIES SWING PUSH ARM |
| SCALE | DRG. NO. |
| NOT TO SCALE | lsw-sd002 |
| DATE | |
| 20/08/15 | |