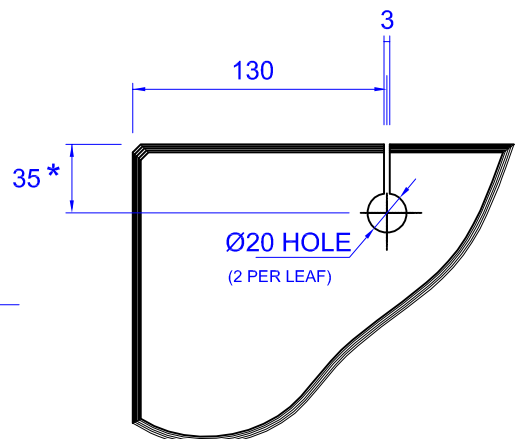


GLASS DOOR HEIGHT =  
F.F.L TO UNDERSIDE  
OF COWL + 50 - 10mm



35 (FOR 10 -12mm GLASS)  
\* 40 (FOR 15mm GLASS)

GLASS DRILLING DETAIL

NOTES:

- \* Do not scale
- \* Unless otherwise stated all dimensions in millimeters
- \* FFL - Finished Floor Level (including carpets etc.)

SCALE	1 : 2
DATE	15/12/09

TITLE	LS220B FRAMELESS GLASS DOOR DETAIL
DRG. NO.	IsI-bl002