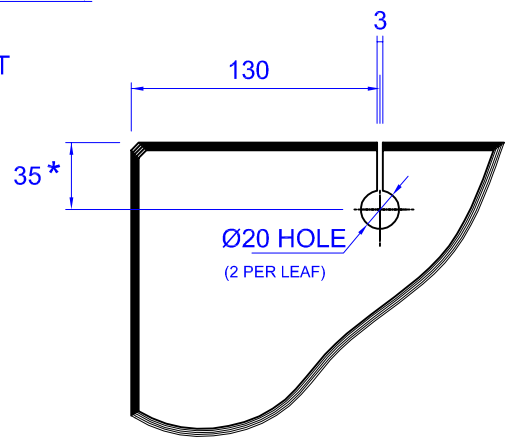


GLASS DOOR HEIGHT =
F.F.L TO UNDERSIDE
OF COWL + 50 - 10mm



35 (FOR 10 -12mm GLASS)
* 40 (FOR 15mm GLASS)

GLASS DRILLING DETAIL

NOTES:

- * Do not scale
- * Unless otherwise stated all dimensions in millimeters
- * FFL - Finished floor level (including carpets etc.)



SCALE
1 : 2

DATE
15/12/09

TITLE

LS300 BI-SLIDE DETAIL
FRAMELESS GLASS DOORS

DRG. NO.
Isl-bs002