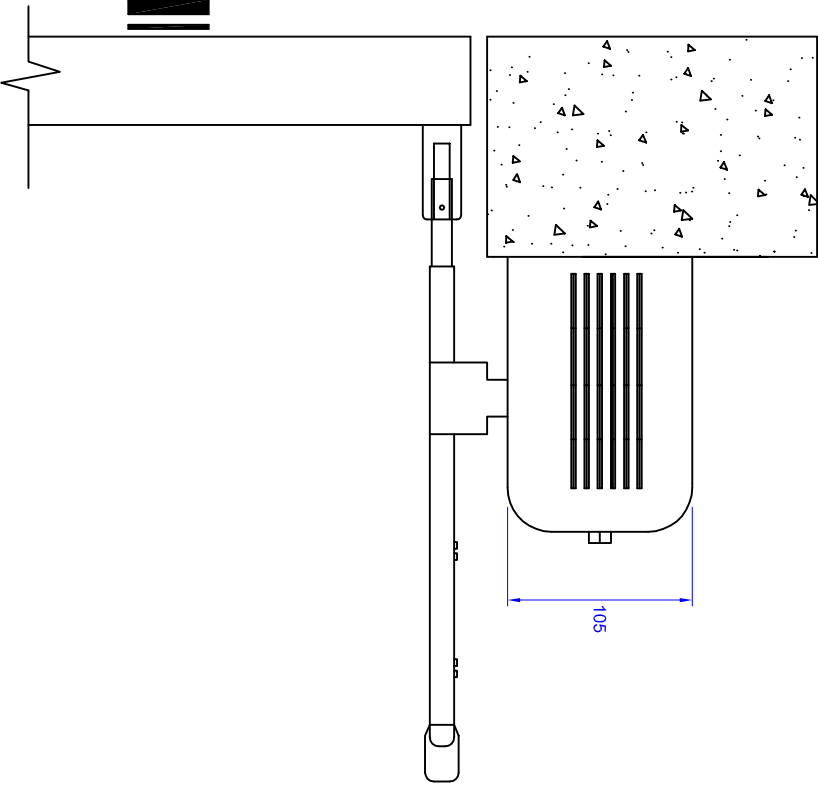



OPEN 



NOTES:

- * Do not scale
- * Unless otherwise stated all dimensions in millimeters
- * FFL - Finished Floor Level (including carpets etc.)

		TITLE
		<p>LSW WELL SERIES SWING PUSH ARM</p>
SCALE	DATE	DRG. NO.
<p>NOT TO SCALE</p>	<p>06/05/10</p>	<p>lsw-003</p>