

Type AS5 V 5-2-0: Commissioning Instruction: Models LS300 + LP & LS220B + LP + ELP + LSW - LP

1. Ensure the automatic door operator is fixed securely, the door are hung plumb and slide freely to full open and close positions.
2. Check the floor guide and anti-rise wheels are not too tight and allows enough travel. Adjust the height if needed to provide adequate floor clearance (approx 10mm). Set the mechanical stops securely. If fitted check the manual lock engages correctly.
3. Wire up all switches and sensors as per the diagram below. Set the mode to auto and turn the mains power on.
4. The door should slowly open first. If it closes instead then switch the power off swap the motor direction by swapping the supply wire to the motor. Turn the power back on to reprogram then operate the doors several times and plug the batteries.
5. If the settings need changing, press the setup key on the mode pad and key in the 4 digit master code then press the enter key.
6. Using the up or down arrow keys choose the setup parameter or setup function by pressing the enter key. Press the arrow keys up or down for the sub parameter or the function required. Press enter to select or exit to escape. Once selected change if required using the up or down arrow keys. Press enter to retain the change or exit to discard. press the up or down arrow key to select the next function or parameter to change. Press enter to select or keep pressing the exit key to return to the previous menus and/or to return from the programming screen to the normal rolling display.
7. To change the operational mode press the mode key and key in the user code followed by the enter key. Press mode key to change from the current mode to the desired new mode.
8. Pressing the setup key and using the user code will allow the alarm reset for 72 hours, user code change and managed lock. In lock mode only, managed lock enables locking of the doors by overriding the safety sensors until the next mode change.
9. The master code is used for permanent alarm reset, parameter and function changes, new user code change and time clock settings..
10. Pressing the exit key and confirming by the enter key will open the door in all modes for egress except when disabled; then pressing the enter key followed by the user code will open the door in all modes.

Please note that all parameter and functional changes should only be carried out by competent personal to avoid injuries or accidents. The commissioning is to be carried out to AS5007 and BCA requirements with particular notice for the safety and egress requirements.

The following items are available on the mode pad:

Modes: Open, Auto, Exit, Lock and Manual, Plus additional Climate Open, Climate Auto, Climate Exit, Climate Lock and Safe Mode

User setup: 48 hour reset, user pass-code change, Managed lock, Time and Day setup, People Counter, Register door, View settings and Diagnose faults.

Setup Parameters: Open, Close, Slow open and slow close speeds, Open and close current limit, Dwell Time Auto, Dwell Time Lock Open and close Trim, Slow Boost, Climate, Open brake time, Close brake time, Reverse delay, Soft Start trim, Open Safe trim, Close Safe Trim.

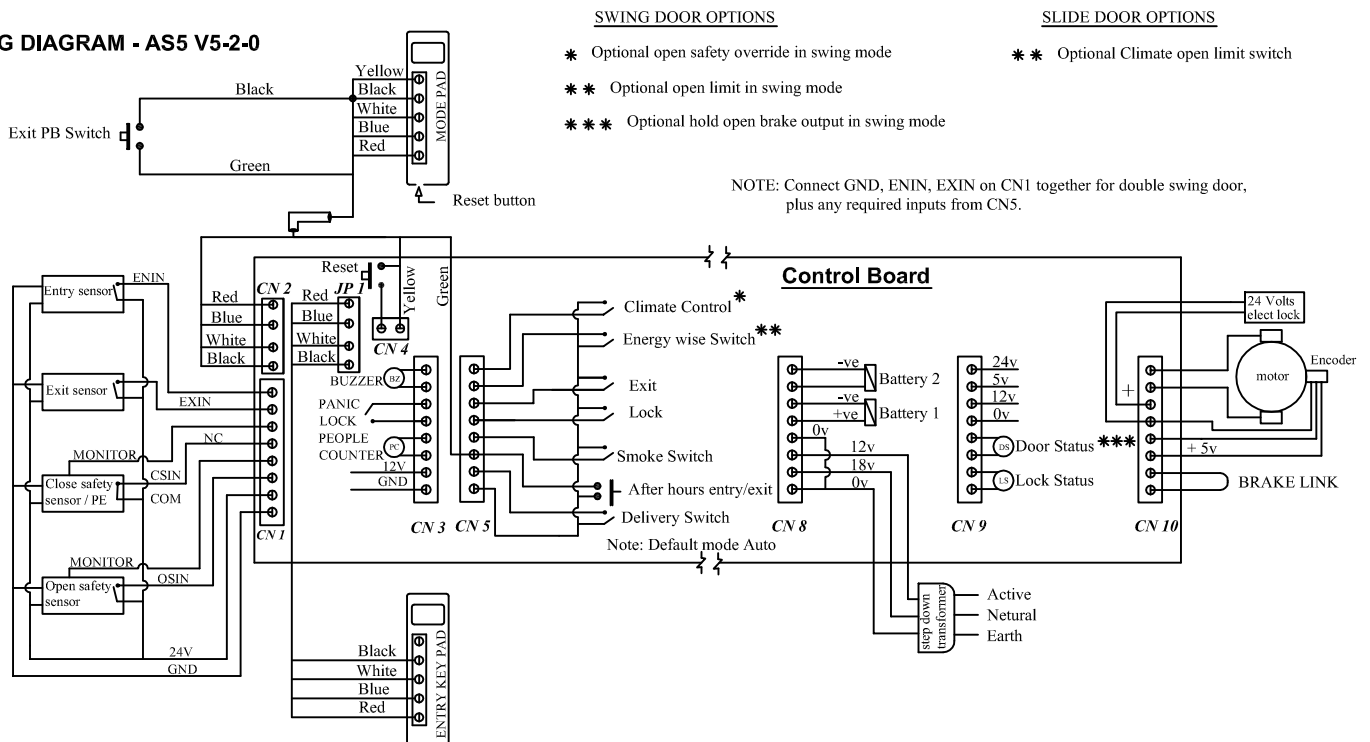
Setup Functions: Battery, Failsafe, Service, Push & Go, Open/Close Safety Sensor Relay o/p, Open/close Safety Sensor Monitor, Buzzer Enable/Disable, Key pad entry enable/disable, Climate options, Lock type, Back check and Latch Resistance, Keypad Mode Code disable, Hold Open.

Setup Time Clock: Enable Time Clock & Program Lock / Unlock Times.

Factory Setup: Master-code Change, Factory registration settings, Service phone, Door type, Default Settings, Select Battery, Select key Pad, Reset Service Timer, Buzzer Setup, Enter serial number.

Reset: 1) Press up arrow for 20 sec. 2) Press reset button on underside of key pad. 3) Mains Power OFF (30 sec) then ON, Press exit Push Button if in lock mode.

WIRING DIAGRAM - AS5 V5-2-0



NOTE

- 1) All control inputs to CN5 from fire alarm or security system etc, MUST BE VOLTAGE FREE
- 2) Door will stay open if keypad is not connected; controller will malfunction if incompatible keypad is used.

Auto Ingress Pty Ltd - Tel: +617 3290 1500, Fax: +617 3290 1567, E: contact@autoingress.com.au, W: www.autoingress.com.au

AUTOMATIC DOORS	
SCALE	NOT TO SCALE
DATE	01/07/13

TITLE	Commissioning Instructions LS300, LS220B & LSW-LP
DRG. NO.	Isl-as5 v 5-2-0