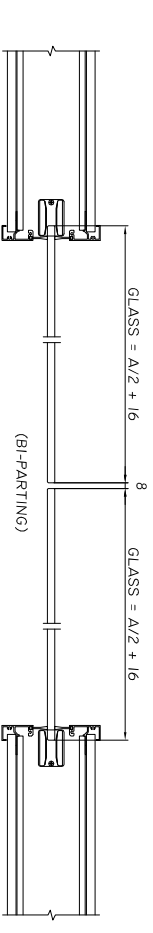
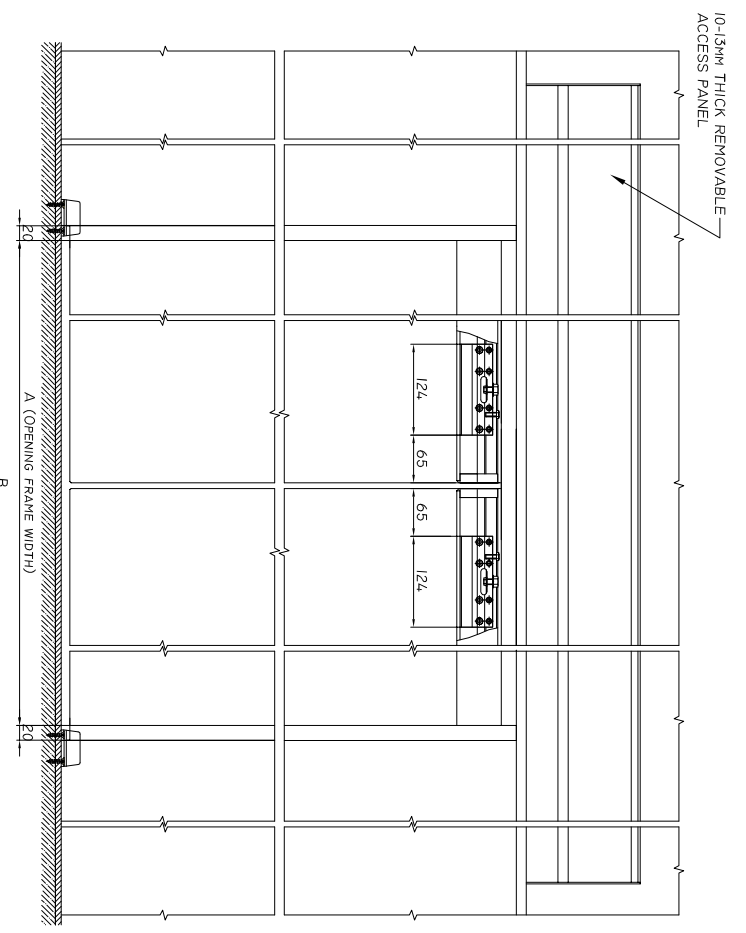
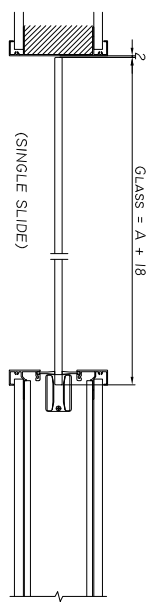
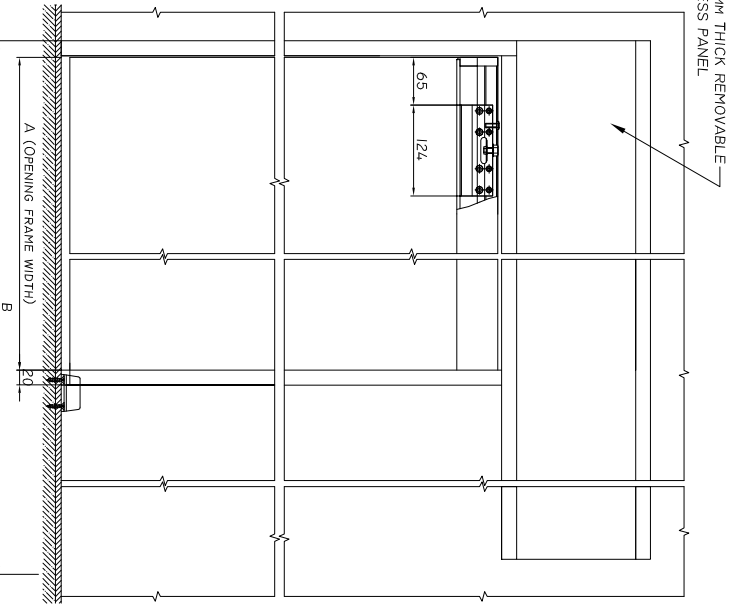
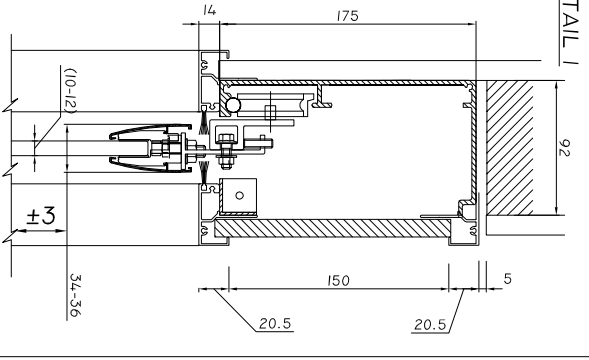
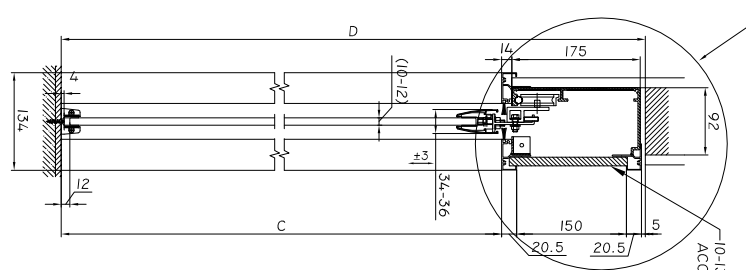


REFER TO DETAIL 1

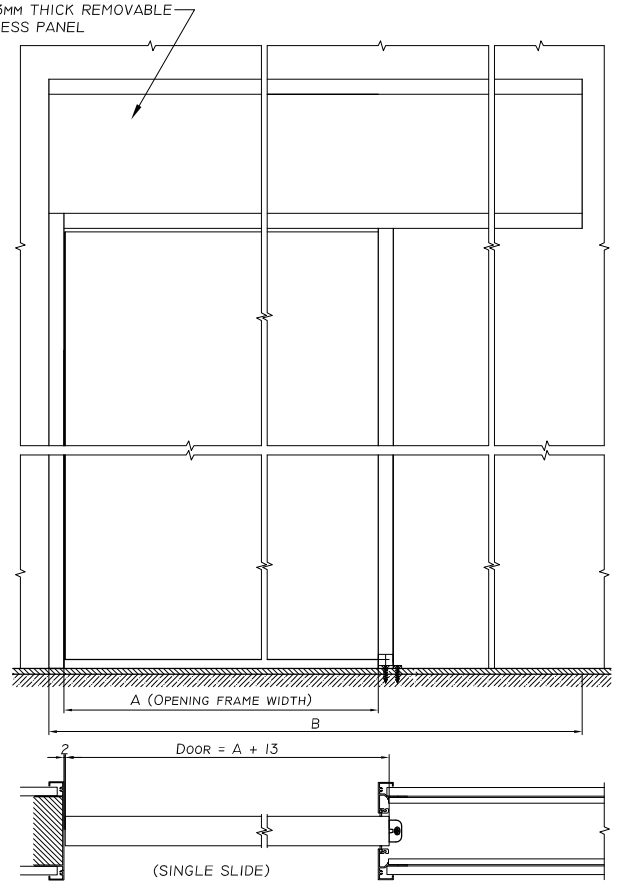
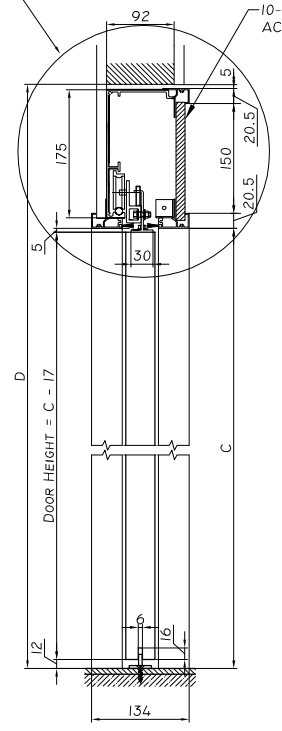


NOTES:

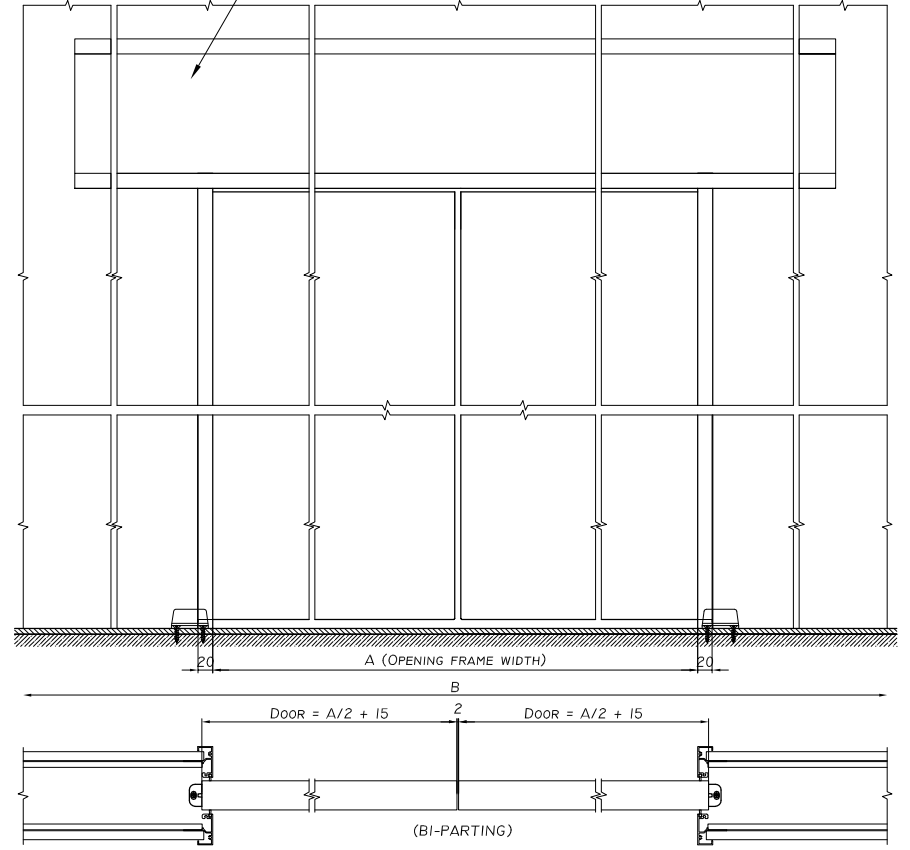
- * DO NOT SCALE
- * UNLESS OTHERWISE STATED ALL DIMENSIONS IN MILLIMETERS
- * FFL - FINISHED FLOOR LEVEL (INCLUDING CARPETS ETC.)

		TITLE
		<p>CAVITY SLIDER DETAILS (GLASS DOOR)</p>
SCALE	1 : 2	DRG. NO.
DATE	02/02/12	LSL-CV001

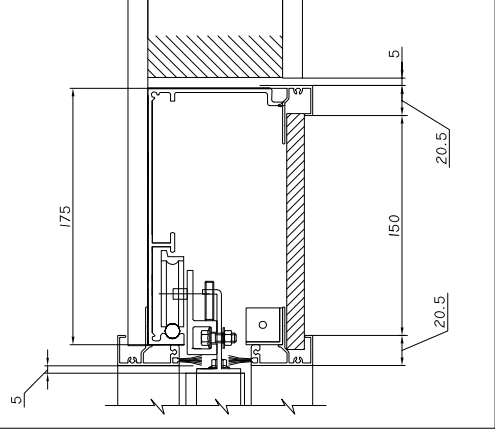
REFER TO DETAIL 1



10-13MM THICK REMOVABLE ACCESS PANEL



DETAIL 1



NOTES:

- * DO NOT SCALE
- * UNLESS OTHERWISE STATED ALL DIMENSIONS IN MILLIMETERS
- * FFL - FINISHED FLOOR LEVEL (INCLUDING CARPETS ETC.)



SCALE 1 : 2

DATE 02/02/12

TITLE
CAVITY SLIDER DETAILS
(TIMBER DOOR)

DRG. NO. LSL-CV002